

UNIVERSAL JOINT KITS

IDENTIFICATION OF UNIVERSAL JOINT KITS

DETERMINE KIT TYPE FROM ILLUSTRATIONS

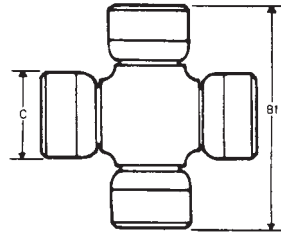


Fig.1

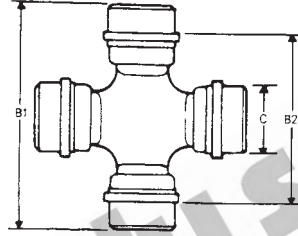


Fig.2

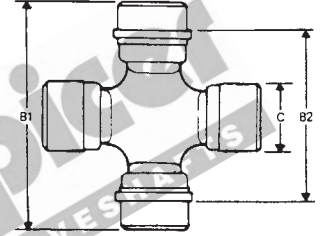


Fig.3

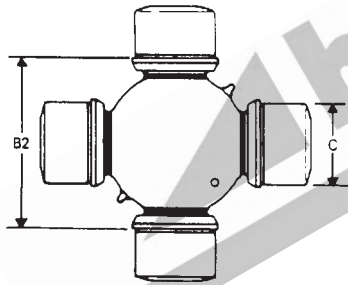


Fig.4

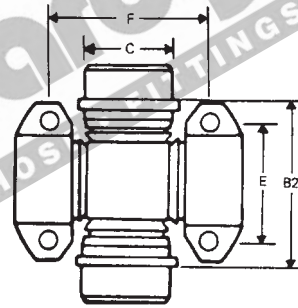


Fig.5

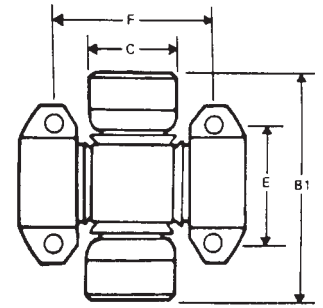


Fig.6

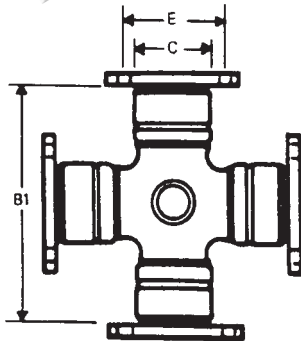


Fig.7

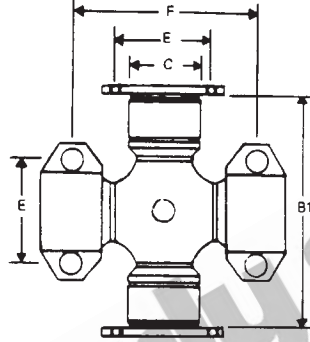


Fig.8

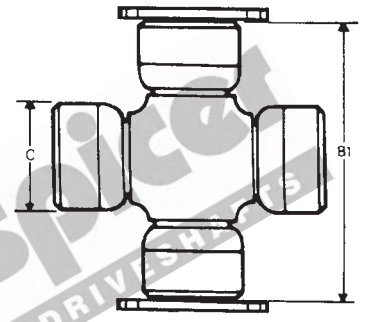


Fig.9

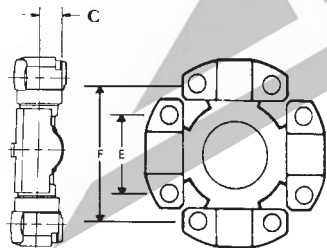


Fig.10

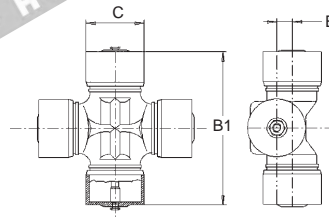


Fig.11

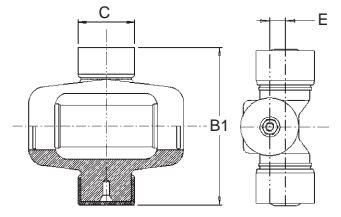


Fig.12

www.hardyspicer.com.au

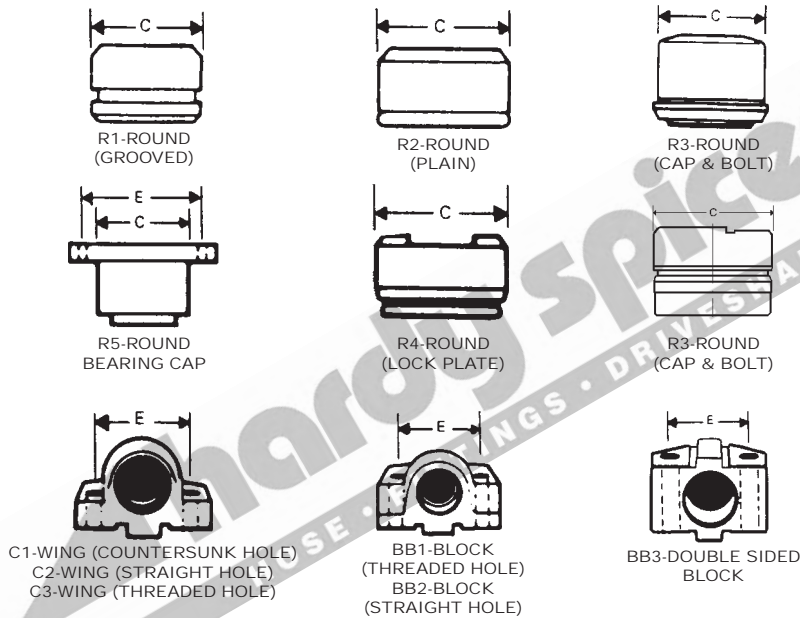
Document No:	HSDSCAT
Issue:	14
Issue Date:	01/08/13

This catalogue is the copyright of Hardy Spicer

UNIVERSAL JOINT KITS

IDENTIFICATION OF BEARING TYPES & DIMENSIONS

BEARING TYPES & DIMENSIONS



HOW TO MEASURE UNIVERSAL JOINT KITS

Follow these simple steps:-

STEP ONE

DETERMINE KIT TYPE FROM ILLUSTRATIONS

STEP TWO

Figures 1-4

- Measure Bearing Cap Diameter Dimension 'C'
- Measure 'B1' and/or 'B2'
- Check Bearing Cap Type and quantity.

Figures 5-9

- Measure Bearing Cap Diameter Dimension 'C'
- Measure 'B1' or 'B2'
- Measure Dimensions 'E' and/or 'F'
- Check Bearing Cap Type and quantity.

Figure 10

- Measure Dimensions 'E' and 'F'
- Check Bearing Cap Type and quantity.

IMPORTANT

Measure with Bearing Caps compressed-ensure that Needle Rollers are not dislodged.

NOTES

- | | |
|---|--|
| 1. Non Lubricated | 12. Kit supplied with only 2 Circlips |
| 2. Lubricated - Side | 13. Kit supplied with only 2 Snap Rings |
| 3. Lubricated - Centre | 14. Use Strap Kit P/No. 5-70-28 |
| 4. Lubricated - Bearing Cap | 15. Use Strap Kit P/No. 6-5-70-18 |
| 5. 4 Snap Rings / 4 Circlips included | 16. Wheel Joint |
| 6. 3 Hole Bearing Plate Type | 17. Uses 19.05mm (.750") Cap Screws |
| 7. Uses 14.27mm (.562") Cap Screws | 18. Lubricated - Side Of Bearing Cap |
| 8. Uses 15.88mm (.625") Cap Screws | 19. Supplied with multiple sets of circlips. |
| 9. Centre Hole through UJ Kit | 20. B1 measurements include circlips |
| 10. Measured inside face to inside face of Snap Rings | 21. Relief Valve in Centre of Cross |
| 11. Lubed for life / Heavy Duty | |

www.hardyspicer.com.au

Document No:	HSDSCAT
Issue:	14
Issue Date:	01/08/13

This catalogue is the copyright of Hardy Spicer

UNIVERSAL JOINT KITS

IDENTIFICATION BY PART NUMBER

PART NUMBER	SEE REF. NUMBER	PART NUMBER	SEE REF. NUMBER	PART NUMBER	SEE REF. NUMBER
114-10003	1256	114-7205	1167	5-327X	913
114-10007	1259	114-7205R	1168	5-328X	610
114-10011	1261	114-7206	1175	5-330X	715
114-10033	1254	114-7207	1172	5-331X	712
114-1004	201	114-7207R	1173	5-332X	600
114-10500	1248	114-7208	1170	5-339XD	982
114-11002	1251	114-7209	1177	5-345X	517
114-12002	1266	114-7273	1158	5-346X	518
114-12002HD	1267	114-7294	721	5-347X	595
114-15002	1269	114-7295	1150	5-348X	598
114-15002W	1270	114-8014	724	5-355X	365
114-15002PL	1271	114-8113	1180	5-357X	516
114-15003	1272	114-8113PL	1181	5-407X	850
114-15003PL	1273	114-8113R	1182	5-433-1X	321
114-15500PL	1274	114-8205	1185	5-443X	301
114-1501	200	114-8205R	1186	5-460X	341
114-162	530	114-8206	1188	5-54X	958
114-2101	265	114-8207	1190	5-618XD	359
114-2107	277	114-8207R	1191	5-618-1XD	360
114-2110	1078	114-8209	1198	5-625XD	315
114-2111	268	114-8210	1200	5-627XD	491
114-2114	271	114-8211	1207	5-632XD	356
114-2116	1079	114-8508	1219	5-633XD	363
114-2117	1083	114-8508R	1220	5-634XD	350
114-2185	1081	114-8514	1217	5-641XD	511
114-232	439	114-8516	1212	5-674X	799
114-2501	432	114-8516HPL	1213	5-675X	841
114-3100	1087	114-8516R	1214	5-676X	859
114-3101	1088	114-9014HD	1222	5-677X	853
114-3102	442	114-9014R	1223	5-88X	601
114-3103	1089	114-9015	1226	CP35N-3	532
114-3105	437	114-9016	1228	CP55N	676
114-3105HD	438	114-9016PL	1229	CP58WB-29	1152
114-3120	443	114-9016R	1230	CP58WB-37	1156
114-3125	1086	114-9017	1233	CP58WB-38	1154
114-4100	1099	114-9017R	1234	CP6N	832
114-4103	1100	114-9026	1236	CP750N-1	706
114-4105	1093	114-9038	1232	CP7N	883
114-4107	451	114-9500	1239	CP850N-4	835
114-4110	1095	212213X	170	CP950N	947
114-4113	1097	5-124X	938	CPL10N-2	133
114-4156	453	5-134X	325	CPL14N	428
114-5031	1116	5-134XHDPL	326	K5-13XR	316
114-5109	559	5-150X	323	K5-13XRHD	317
114-5110	562	5-155X	602	K5-13XRHDPL	318
114-5122	1103	5-155XHD	603	K5-A13XR	322
114-5127	1111	5-155XLFL	604	K5-A18R	493
114-5132	565	5-165X	709	K5-A510	55
114-5148	1105	5-170X	169	K5-A517	58
114-5154	568	5-178-4X	490	K5-A519	429
114-5173	1114	5-178X	487	K5-A522	406
114-5177	1108	5-178XHD	488	K5-A523	631
114-5177PL	1109	5-178XLHD	489	K5-A530	349
114-596	352	5-185X	916	K5-A532	184
114-6103	1130	5-186X	919	K5-A536	526
114-6104	1120	5-187X	922	K5-A537	343
114-6107	571	5-188X	592	K5-A538	593
114-6114	1132	5-212X	362	K5-A539	45
114-6114R	1133	5-213X	346	K5-A541	496
114-6128	1123	5-220X	605	K5-A542	682
114-6128PL	1124	5-221X	607	K5-A543	868
114-6128R	1125	5-248X	253	K5-A546	46
114-6135	569	5-252X	319	K5-A547	745
114-6143	1127	5-260X	347	K5-A548	898
114-6143R	1128	5-264X	130	K5-A549	61
114-6150	570	5-279X	798	K5-A551	81
114-6152	1136	5-280X	838	K5-A553	103
114-6162	1140	5-281X	856	K5-A554	109
114-6163	1143	5-297X	505	K5-A556	205
114-6164	1144	5-297-1X	506	K5-A557	208
114-6166	1146	5-297CL	507	K5-A558	214
114-6285	1138	5-3022X	351	K5-A561	370
114-7126	1162	5-308X	907	K5-A562	424
114-7126PL	1163	5-324X	862	K5-A563	531
114-7126R	1164	5-326X	910	K5-A564	554

www.hardyspicer.com.au

Document No:	HSDSCAT
Issue:	14
Issue Date:	01/08/13

This catalogue is the copyright of Hardy Spicer

UNIVERSAL JOINT KITS

PART NUMBER	SEE REF. NUMBER	PART NUMBER	SEE REF. NUMBER	PART NUMBER	SEE REF. NUMBER
K5-A566	622	K5-A64	157	K5-A716	1026
K5-A567	623	K5-A643	949	K5-A717	1041
K5-A568	625	K5-A643-4X	950	K5-A717-4X	1042
K5-A569	632	K5-A643SF	951	K5-A718	1044
K5-A571	634	K5-A643W	952	K5-A718-4X	1045
K5-A572	649	K5-A644	320	K5-A719	1051
K5-A573	694	K5-A645	670	K5-A719-4X	1052
K5-A574	736	K5-A647	931	K5-A722	886
K5-A575	742	K5-A647W	932	K5-A722-4X	887
K5-A576	751	K5-A648	79	K5-A722SF	888
K5-A577	772	K5-A649	76	K5-A722W	889
K5-A578	775	K5-A650	106	K5-A723	581
K5-A579	781	K5-A651	112	K5-A724	477
K5-A580	790	K5-A652	127	K5-A725	686
K5-A581	793	K5-A653	124	K5-A726	552
K5-A582	811	K5-A654	121	K5-A727	382
K5-A583	874	K5-A655	190	K5-A727SF	383
K5-A584	890	K5-A656	197	K5-A728	521
K5-A585	475	K5-A657	187	K5-A728-4X	522
K5-A586	778	K5-A658	895	K5-A728W	523
K5-A587	34	K5-A659	880	K5-A729	587
K5-A588	91	K5-A660	637	K5-A730	588
K5-A589	94	K5-A661	62	K5-A730W-4X	589
K5-A590	376	K5-A662	784	K5-A730HT	590
K5-A591	519	K5-A665	700	K5-A730W	591
K5-A592	538	K5-A666	22	K5-A731	732
K5-A593	628	K5-A667	28	K5-A731-4X	733
K5-A594	703	K5-A668	1	K5-A731W	734
K5-A595	726	K5-A669	52	K5-A732	795
K5-A596	757	K5-A670	891	K5-A732-4X	796
K5-A597	877	K5-A671	86	K5-A732W	797
K5-A598	814	K5-A672	97	K5-A733	939
K5-A599	820	K5-A674	166	K5-A733SF	940
K5-A600	934	K5-A675	646	K5-A734	395
K5-A601	935	K5-A676	404	K5-A735	520
K5-A603	31	K5-A678	479	K5-A736	1022
K5-A605	769	K5-A679	556	K5-A736-4X	1023
K5-A606	763	K5-A680	577	K5-A737	998
K5-A607	750	K5-A681	580	K5-A737-4X	999
K5-A609	145	K5-A682	583	K5-A738	374
K5-A610	292	K5-A683	654	K5-A739	408
K5-A611	478	K5-A683HT	655	K5-A740	293
K5-A612	615	K5-A684	658	K5-A741	422
K5-A612HD	617	K5-A685	661	K5-A742	729
K5-A612-4X	616	K5-A686	735	K5-A743	948
K5-A614	748	K5-A687	766	K5-A747	1037
K5-A615	88	K5-A689	808	K5-A747-4X	1038
K5-A616	652	K5-A691	823	K5-A748	692
K5-A617	787	K5-A692	865	K5-A749	618
K5-A618	901	K5-A693	613	K5-A749-4X	619
K5-A619	885	K5-A694	904	K5-A749-4XRB	620
K5-A620	927	K5-A695	946	K5-A749HT	621
K5-A620-4X	928	K5-A696	847	K5-A752	864
K5-A620SF	929	K5-A697	4	K5-A753	730
K5-A620W	930	K5-A698	10	K5-A754	873
K5-A621	100	K5-A699	19	K5-A755	752
K5-A622	727	K5-A700	25	K5-A756	953
K5-A623	802	K5-A701	37	K5-A757	308
K5-A624	924	K5-A702	40	K5-A758	892
K5-A625	959	K5-A703	49	K5-A759	690
K5-A625-4X	960	K5-A704	826	K5-A760	480
K5-A626	964	K5-A705	7	K5-A760-2X	481
K5-A626W	965	K5-A706	16	K5-A761	1018
K5-A627	992	K5-A707	961	K5-A761-4X	1019
K5-A627W	993	K5-A707W	962	K5-A762	765
K5-A628	1015	K5-A708	978	K5-A763	657
K5-A628W	1016	K5-A708-4X	979	K5-A765	594
K5-A629	1032	K5-A708W	980	K5-A766	38
K5-A630	944	K5-A709	987	K5-A767	372
K5-A631	829	K5-A710	1011	K5-A768	933
K5-A632	679	K5-A710-4X	1012	K5-A769	650
K5-A633	805	K5-A711	1028	K5-A770	1070
K5-A634	954	K5-A711-4X	1029	K5-A771	614
K5-A635	13	K5-A712	1048	K5-A772	995
K5-A636	871	K5-A713	1057	K5-A772-4X	996
K5-A637	43	K5-A714	985	K5-A773	576
K5-A638	664	K5-A715	1008	K5-A774	455
K5-A639	691	K5-A715-4X	1009	K5-A775	955

www.hardyspicer.com.au

Document No:	HSDSCAT
Issue:	14
Issue Date:	01/08/13

UNIVERSAL JOINT KITS

PART NUMBER	SEE REF. NUMBER	PART NUMBER	SEE REF. NUMBER	PART NUMBER	SEE REF. NUMBER
K5-A776	287	K5-A845	508	RUJ-2046	1085
K5-A777	198	K5-A846	380	RUJ-2049	298
K5-A778	770	K5-A847	390	RUJ-2050	413
K5-A779	831	K5-A850	412	RUJ-2051	426
K5-A780	884	K5-A851	957	RUJ-2052	414
K5-A781	651	K5-GB10R	509	RUJ-2053	415
K5-A782	707	K5-GB10RHD	510	RUJ-2054	401
K5-A783	731	K5-GB150	160	RUJ-2078	547
K5-A784	753	K5-GB15R	688	RUJ-2100	465
K5-A785	937	K5-GB22R	685	RUJ-2100HD	466
K5-A786	896	K5-GB35	313	RUJ-2106	400
K5-A788	527	K5-L4R	307	RUJ-2109	467
K5-A789	968	K5-LGB36R	310	RUJ-2109HD	468
K5-A789-4X	969	K5-LGB80R-SP	161	RUJ-2110	463
K5-A790	1054	K5-LGB80R	163	RUJ-2113	469
K5-A791	1067	RUJ-0500	26	RUJ-2114	409
K5-A791-4X	1068	RUJ-0600	168	RUJ-2500	435
K5-A792	972	RUJ-0601	172	RUJ-2500R	434
K5-A793	810	RUJ-0602	64	RUJ-2503	436
K5-A794	792	RUJ-0603	70	RUJ-2505	454
K5-A795	483	RUJ-0604	66	RUJ-2507	328
K5-A796	656	RUJ-1500	142	RUJ-2508	411
K5-A797-4X	1059	RUJ-1501	118	RUJ-2509	472
K5-A798	431	RUJ-1503	139	RUJ-3000	361
K5-A799	533	RUJ-1504	115	RUJ-3001	502
K5-A800	558	RUJ-1505	116	RUJ-3002	358
K5-A801	975	RUJ-1506	117	RUJ-3003	541
K5-A802	956	RUJ-1700	392	RUJ-3004	586
K5-A803	768	RUJ-1701	196	RUJ-3005	643
K5-A804	553	RUJ-1702	232	RUJ-3006	484
K5-A805	582	RUJ-1703	203	RUJ-3007	549
K5-A806	894	RUJ-1758	250	RUJ-3009	574
K5-A807	1072	RUJ-1764	247	RUJ-3011	471
K5-A808	599	RUJ-1766	178	RUJ-3012	486
K5-A809	165	RUJ-1776	289	RUJ-4000	445
K5-A810	990	RUJ-1780	67	RUJ-4002	448
K5-A811	611	RUJ-1781	226	RUJ-4003	1091
K5-A812	394	RUJ-1784	223	RUJ-4005	452
K5-A813	893	RUJ-1786	238	RUJ-4007	529
K5-A814	794	RUJ-1786R	241	RUJ-4008	514
K5-A815	482	RUJ-1788	304	RUJ-4009	640
K5-A816	524	RUJ-1795	220	RUJ-4010	485
K5-A817	378	RUJ-1796	235	RUJ-4012	446
K5-A818-4X	1035	RUJ-1797	148	RUJ-5001	739
K5-A819	499	RUJ-1798	256	RUJ-5002	760
K5-A820	1062	RUJ-1800	114	RUJ-5004	551
K5-A820-4X	1063	RUJ-1801	179	RUJ-6069	1148
K5-A821	1075	RUJ-2016	295	RUJ-7000	1193
K5-A822	1004	RUJ-2023	419	RUJ-7001	704
K5-A823	689	RUJ-2027	340	RUJ-7002	718
K5-A824	384	RUJ-2028	416	RUJ-7003	624
K5-A825	525	RUJ-2028PL	417	RUJ-8001	697
K5-A826	1001	RUJ-2029	397	RUJ-8002	1195
K5-A827	791	RUJ-2030	259	RUJ-8003	1205
K5-A830	612	RUJ-2030R	262	RUJ-9902	1202
K5-A831	680	RUJ-2032	280	RUJ-91110	1210
K5-A832	761	RUJ-2033	460	RUJ-11000	1245
K5-A833	936	RUJ-2034	286	RUJ-11500	1242
K5-A835	386	RUJ-2036	461	RUJ-12500	1264
K5-A836	388	RUJ-2038	398	RUJ-14001	1280
K5-A837	728	RUJ-2038R	399	RUJ-14500	1277
K5-A838	421	RUJ-2039	355	SPL170X	902
K5-A840	550	RUJ-2040	229	SPL170XW	903
K5-A841	557	RUJ-2041	544	SPL250X	941
K5-A842	459	RUJ-2041HD	545	SPL250XW	942
K5-A843	368	RUJ-2041HD-1X	546	SPL250-SF3X	943
K5-A844	54	RUJ-2045	211		

www.hardyspicer.com.au

Document No:	HSDSCAT
Issue:	14
Issue Date:	01/08/13

This catalogue is the copyright of Hardy Spicer

UNIVERSAL JOINT KITS



www.hardyspicer.com.au

Document No:	HSDSCAT
Issue:	14
Issue Date:	01/08/13

UNIVERSAL JOINT KITS

IDENTIFICATION BY PART SIZE

REF #	FIG	C	B1	B2	E	F	BEARING TYPE	PART #	SEE NOTES	DESCRIPTION
1	1	14.00	36.00				R2-4	K5-A668	3	ELBE 204 SERIES
4	1	15.00	38.00				R2-4	K5-A697	1	STAKED STEERING
7	1	15.00	39.00				R2-4	K5-A705	1	STAKED STEERING
10	1	15.00	40.00				R2-4	K5-A698	1	STAKED STEERING
13	1	15.00	40.20				R2-4	K5-A635	1	WILLI ELBE 058
16	1	15.00	40.20				R2-4	K5-A706	3	GWB 473-10
19	1	16.00	38.50				R2-4	K5-A699	1	STAKED STEERING
22	1	16.00	39.00				R2-4	K5-A666	1	STAKED STEERING
25	1	16.00	40.00				R2-4	K5-A700	1	STAKED STEERING
26	2	16.00		27.00			R1-4	RUJ-0500	4	KAWASAKI (REUSE OLD CLIPS)
28	1	17.00	41.00				R2-4	K5-A667	3	ELBE 105 SERIES
31	1	17.00	42.00				R2-4	K5-A603	3	GWB 173-10
34	1	18.00	47.00				R2-4	K5-A587	3	WALTERSCHEID W2000
37	1	19.00	44.00				R2-4	K5-A701	3	STEERING
38	1	19.00	44.40				R2-4	K5-A766	1	STAKED BMW MOTORCYCLE
40	1	19.00	48.00				R2-4	K5-A702	3	STAKED STEERING
43	1	19.00	48.00				R2-4	K5-A637	3	GWB 473-20 / ELBE 106
45	1	19.05	51.96				R2-4	K5-A539	1	500 SERIES NON LUBE
46	1	19.05	51.96				R2-4	K5-A546	3	500 SERIES CENTRE LUBE
49	1	20.00	44.20				R2-4	K5-A703	1	MOTO GUZZI
52	1	20.00	44.70				R2-4	K5-A669	1	KUBOTA
54	1	20.00	50.00				R2-4	K5-A844	3	MOWER DECK
55	1	20.00	55.00				R2-4	K5-A510	1	MAZDA
58	1	20.00	57.00				R2-4	K5-A517	1	TOYOTA
61	1	20.00	57.50				R2-4	K5-A549	3	JAPANESE PTO
62	1	20.00	58.00				R2-4	K5-A661	3	HINO
64	2	20.00		29.80			R1-4	RUJ-0602	3	JAPANESE PTO
66	2	20.00		37.00			R1-4	RUJ-0604	4	KUBOTA
67	2	20.00		38.10			R1-4	RUJ-1780	4	NISSAN
70	2	20.01		40.00			R1-4	RUJ-0603	1	TOYOTA T.C.M./KAWASAKI
76	1	20.07	59.80				R2-4	K5-A649	1	STAKED SUZUKI
79	1	20.07	52.40				R2-4	K5-A648	1	NISSAN
81	1	20.50	56.50				R2-4	K5-A551	3	JAP. STEERING & PTO
86	1	22.00	49.00				R2-4	K5-A671	1	MOTO GUZZI
88	1	22.00	50.20				R2-4	K5-A615	3	MOTO GUZZI
91	1	22.00	54.00				R2-4	K5-A588	3	T10 PTO
94	1	22.00	55.00				R2-4	K5-A589	3	WALTERSCHEID
97	1	22.00	58.00				R2-4	K5-A672	3	ELBE 107 SERIES
100	1	22.00	59.00				R2-4	K5-A621	3	GWB 473-30 SERIES
103	1	22.00	62.00				R2-4	K5-A553	3	JAPANESE PTO
106	1	22.00	64.00				R2-4	K5-A650	1	STAKED FORD
109	1	22.00	65.00				R2-4	K5-A554	1	HONDA
112	1	22.00	67.00				R2-4	K5-A651	1	STAKED FORD
114	2	22.00		35.10			R1-4	RUJ-1800	1	KAWASAKI M/CYCLES
115	2	22.00		35.50			R1-4	RUJ-1504	4	STAKED REP.TOY/NISSAN
116	2	22.00		38.50			R1-4	RUJ-1505	1	STAKED REPL. MAZDA
117	2	22.00		39.60			R1-4	RUJ-1506	4	FORKLIFTS
118	2	22.00		40.00			R1-4	RUJ-1501	1	MITS/TOY/FORKLIFT PTO
121	1	22.06	57.50				R2-4	K5-A654	1	TOYOTA
124	1	22.06	61.70				R2-4	K5-A653	1	ISUZU / MAZDA
127	1	22.06	64.50				R2-4	K5-A652	1	STAKED MITSUBISHI
130	1	22.20	73.60				R2-4	5-264X	3	1 FR SERIES
133	1	22.22	61.93				R2-4	CPL10N-2	4	L10N
139	2	22.50		37.50			R1-4	RUJ-1503	4	DAIHATSU LUBE IN CAP
142	2	22.50		37.65			R1-4	RUJ-1500	1	MAZDA
145	1	23.00	58.50				R2-4	K5-A609	3	GWB 273-30
148	2	23.00		49.00			R1-4	RUJ-1797	1	SUBARU
157	1	23.80	61.30				R2-4	K5-A64	3	1140 / T20 PTO
160	1	23.80	61.30				R2-4	K5-GB150	1	1140 AUTOMOTIVE
161	1	23.80	61.30				R2-4	K5-LGB80R-SP	4	1140 AUTO LUBE IN CAP
163	1	23.80	61.30				R2-4	K5-LGB80R	2	1140 AUTOMOTIVE

www.hardyspicer.com.au

Document No:	HSDSCAT
Issue:	14
Issue Date:	01/08/13

This catalogue is the copyright of Hardy Spicer

UNIVERSAL JOINT KITS

REF #	FIG	C	B1	B2	E	F	BEARING TYPE	PART #	SEE NOTES	DESCRIPTION
165	1	23.80	62.60				R2-4	K5-A809	1	B300/403 ELBE AXLE JOINT
166	1	23.80	65.90				R2-4	K5-A674	2	HINO STEERING
168	2	23.80		37.70			R1-4	RUJ-0600	3	0600 SERIES
169	2	23.80		38.10			R1-4	5-170X	3	1000 SERIES
170	2	23.80		38.10			R1-4	212213X	3	1000 SERIES PLASTIC BUSH
172	2	23.80		37.70			R1-4	RUJ-0601	3/19	600 & 1000 SERIES TO L6N SERIES
	2	23.80		38.10						
	2	24.60		36.80						
178	3	23.80	61.30				R2-2	RUJ-1766	4	1140 SERIES TO 17R SERIES
	3	25.40		43.64			R1-2			
179	3	23.80	61.30				R2-2	RUJ-1801	1	1140 SERIES TO SUZUKI
	3	25.00		42.90			R1-2			
184	1	24.00	63.30				R2-4	K5-A532	1	ALFA ROMEO
187	1	24.00	74.50				R2-4	K5-A657	1	STAKED MERCEDES
190	1	24.00	78.00				R2-4	K5-A655	1	STAKED FORD
196	2	24.00		48.00			R1-4	RUJ-1701	4	STAKED REPL. MAZDA
197	1	24.06	62.50				R2-4	K5-A656	1	STAKED BMW
198	1	24.06	71.40				R2-4	K5-A777	1	STAKED MAZDA
200	1	24.60		42.87			R1-4	114-1501	2	CATERPILLAR
201	2	24.61		36.80			R1-4	114-1004	3	L6N SERIES
203	2	24.70		41.70			R1-4	RUJ-1703	1	STAKED NISS/MAZ/TOY
205	1	25.00	63.80				R2-4	K5-A556	4	MAZDA / MITSUBISHI
208	1	25.00	64.00				R2-4	K5-A557	1	HONDA
211	1	25.00	76.50				R2-4	RUJ-2045	2	MITSUBISHI TRITON
214	1	25.00	77.00				R2-4	K5-A558	2	MITSUBISHI
220	2	25.00		42.90			R1-4	RUJ-1795	3	SUZUKI
223	2	25.00		43.60			R1-4	RUJ-1784	1	MAZDA
226	2	25.00		44.00			R1-4	RUJ-1781	1	NISSAN
229	2	25.00		56.00			R1-4	RUJ-2040	1	NISSAN
232	2	25.00		58.70			R1-4	RUJ-1702	1	TOYOTA T.C.M.
235	2	25.10		44.00			R1-4	RUJ-1796	1	SUBARU
238	2	25.40		43.64			R1-4	RUJ-1786	4	17R HOLDEN
241	2	25.40		43.64			R1-4	RUJ-1786R	1	17R HOLDEN H.D.
247	5	25.40		43.64			R1-2	RUJ-1764	4	EARLY HOLDEN CHAMBERLAIN TRACTOR
					33.34	44.45	C3-2			
250	5	25.40		43.64			R1-2	RUJ-1758	4	EARLY HOLDEN 17R SERIES
					33.34	52.78	C3-2			
253	3	25.40		43.64			R1-2	5-248X	3	17R SERIES TO 1210 SERIES
		26.99	61.93				R2-2			
256	2	25.40		46.80			R1-4	RUJ-1798	3	BENBOW PTO
259	2	25.40		59.53			R1-4	RUJ-2030	1	2R SERIES
262	2	25.40		59.53			R1-4	RUJ-2030R	1	2R SERIES H.D.
265	2	25.40		59.53			R1-4	114-2101	4	2R SERIES
268	5	25.40		59.53			R1-2	114-2111	2/4	2R SERIES TO 2C MECH
					33.34	59.53	C3-2			
271	5	25.40		59.53			R1-2	114-2114	4	2R SERIES TO 2C MECH
					33.34	59.53	C1-2			
277	5	25.40		59.53			R1-2	114-2107	2	2R SERIES
					33.34	61.52	C1-2			
280	3	25.40		59.53			R1-2	RUJ-2032	1	2R SERIES TO 1310 SERIES
		26.99	81.76				R2-2			
286	2	25.40		59.53			R1-4	RUJ-2034	2	2R TO 25R SERIES & FORD 1310
		28.58	81.76	59.53			R2-2			
287	1	25.40	85.80				R2-4	K5-A776	3	KATO CRANE
289	2	26.00		46.60			R1-4	RUJ-1776	4	TOYOTA
292	1	26.00	69.80				R2-4	K5-A610	3	GWB 287-00
293	1	26.00	69.80				R2-4	K5-A740	4	GWB 287.00 LUBE IN CAP
295	2	26.00		55.96			R1-4	RUJ-2016	1	TOYOTA
298	2	26.50		50.40			R1-4	RUJ-2049	1	MAZDA E.2200
301	1	26.99	61.93				R2-4	5-443X	4	1210 SERIES
304	2	26.99		46.04			R1-4	RUJ-1788	3	12N SERIES
307	1	26.99	74.61				R2-4	K5-L4R	2	1300 SERIES
308	1	26.99	74.61				R2-4	K5-A757	2	1300 SERIES HEAVY DUTY
310	1	26.99	74.61				R2-4	K5-LGB36R	3	1300 / T40 PTO
313	1	26.99	74.61				R2-4	K5-GB35	1/16	1300 AXLE JOINT - NO SEALS

www.hardyspicer.com.au

Document No:	HSDSCAT
Issue:	14
Issue Date:	01/08/13

This catalogue is the copyright of Hardy Spicer

UNIVERSAL JOINT KITS

REF #	FIG	C	B1	B2	E	F	BEARING TYPE	PART #	SEE NOTES	DESCRIPTION
315	1	26.99	81.76				R2-4	5-625XD	1	1310 SERIES H/D Solid cross
316	1	26.99	81.76				R2-4	K5-13XR	2	1310 SERIES
317	1	26.99	81.76				R2-4	K5-13XRHD	2	1310 SERIES HEAVY DUTY
318	1	26.99	81.76				R2-4	K5-13XRHDPL	1	1310 Series H/D Solid cross
320	1	26.99	81.76				R2-4	K5-A644	2	1310 SERIES HIGH ANGLE
321	1	26.99	81.76				R2-4	5-433-1X	4	1310 SERIES LUBE IN CAP
322	1	26.99	81.76				R2-4	K5-A13XR	3	1310 SERIES PTO
323	1	26.99 28.58	81.76 92.08	65.10			R2-2 R1/R2-2	5-150X	2	1310 SERIES TO 1330 SERIES 9" DIFF/3R
325	1	26.99 26.99	81.76 92.08				R2-4	5-134X	2	1310 SERIES TO 1330 SERIES
326	1	26.99 26.99	81.76 92.08				R2-4	5-134XHDPL	1	1310 SERIES TO 1330 SERIES HEAVY DUTY
328	6	26.99	81.76				R2-2 C3-2	RUJ-2507	2	1310 SERIES TO 2C MECH
340	2	26.99	81.76	60.32			R1/R2-4	RUJ-2027	2/5	FORD CLEVELAND & 1280 SERIES
341	1	26.99 30.16	81.76 92.08				R2-4	5-460X	2	1310 x 1350 SERIES
343	1	26.99 30.16	92.08 92.08				R2-4	K5-A537	2	1330 SERIES TO 1350 SERIES
346	1	26.99	92.08				R2-4	5-213X	2	1330 SERIES
347	2	26.99		55.00			R1-4	5-260X	1	JEEP AXLE JOINT
349	3	26.99 27.38	81.76	54.00			R2-2 R1-2	K5-A530	2	1310 SERIES TO 21R SERIES
350	3	26.99 27.58	81.76	54.00			R2-2 R1-2	5-634XD	1	1310 SERIES TO 21R SERIES SOLID CROSS
351	3	26.99 28.58	81.76	65.10			R2-2 R1-2	5-3022X	2	1310 SERIES TO 3R
352	3	26.99 28.58	92.08	65.10			R2-2 R1-2	114-596	2	1330 SERIES TO 3R SERIES
355	1	26.99 28.58	81.76 81.76	59.53			R2-2 R1/R2-2	RUJ-2039	2	1310 SERIES TO 9" FORD DIFF & 25R
356	1	26.99 28.58	81.76 81.76				R2-4	5-632XD	1	1310 SERIES TO 9" FORD DIFF SOLID CROSS
358	2	26.99	92.08				R2-4	RUJ-3002	2	1330 SERIES
359	2	26.99	92.08				R2-4	5-618XD	1	1330 SERIES SOLID
360	2	26.99	92.08				R2-4	5-618-1XD	4	1330 H/D LUBE IN CAP
361	3	26.99 28.58	92.08 92.08				R2-4	RUJ-3000	2	1330 SERIES TO 1330 SERIES 9" DIFF
362	1	26.99 28.58	92.08	65.10			R2-2 R1-2	5-212X	2	1330 SERIES TO 3R
363	1	26.99 28.58	92.08 92.08				R2-4	5-633XD	1	1330 SERIES TO 1330 SERIES 9" DIFF SOLID
365	3	26.99 28.58	92.08	66.67			R2-2 R1-2	5-355X	2	1330 SERIES TO DETROIT 7290
368	1	27.00	62.00				R2-4	K5-A843	1	GREAT WALL
370	1	27.00	65.30				R2-4	K5-A561	4	MINI
372	1	27.00	69.80				R2-4	K5-A767	1	VW SYNCHRO
374	1	27.00	70.00				R2-4	K5-A738	18	ELBE 408 SERIES AXLE
376	1	27.00	70.00				R2-4	K5-A590	3	T30 PTO
378	1	27.00	71.00				R2-4	K5-A817	1	B310 AXLE JOINT
380	1	27.00	74.00				R2-4	K5-A846	1	STAKED MERC SPRINTER
382	1	27.00	74.50				R2-4	K5-A727	3	GWB 687-15
383	1	27.00	74.50				R2-4	K5-A727SF	1	GWB 687-15
384	1	27.00	74.60				R2-4	K5-A824	1/16	BTB B210 AXLE JOINT
386	1	27.00	80.00				R2-4	K5-A835	1	STAKED VW/FORD
388	1	27.00	80.12				R2-4	K5-A836	2/21	HYUNDAI
390	1	27.00	88.00				R2-4	K5-A847	1	STAKED MERC SPRINTER
392	2	27.00		49.02			R1-4	RUJ-1700	4	NISSAN NAVARA
394	1	27.00 32.00	91.00 76.00				R2-4	K5-A812	3	WALTERSCHEID 2480
395	1	27.00 27.00	91.20 85.80				R2-4	K5-A734	3	T40 WIDE ANGLE

www.hardyspicer.com.au

Document No:	HSDSCAT
Issue:	14
Issue Date:	01/08/13

This catalogue is the copyright of Hardy Spicer

UNIVERSAL JOINT KITS

REF #	FIG	C	B1	B2	E	F	BEARING TYPE	PART #	SEE NOTES	DESCRIPTION
397	3	27.39 28.58	81.76	54.00			R1-2 R2-2	RUJ-2029	1	21R SERIES TO FORD 9" DIFF
398	2	27.39		54.00			R1-4	RUJ-2038	1	21R SERIES
399	2	27.39		54.00			R1-4	RUJ-2038R	1	21R SERIES PREMIUM
400	2	27.39		54.00			R1-4	RUJ-2106	3	MARINE STERN DRIVE
401	2	27.90		50.70			R1-4	RUJ-2054	1	STAKED REPL. NISSAN
404	1	28.00	71.50				R2-4	K5-A676	4	ELBE 109 SERIES (OLD)
406	1	28.00	80.00				R2-4	K5-A522	3	DAIHATSU
408	1	28.00 26.99	80.00 81.76				R2-4	K5-A739	2	DAIHATSU / 1310
409	3	28.00 26.99	81.76	55.96			R1-2 R2-2	RUJ-2114	2	NISSAN TO 1310 SERIES
411	2	28.00		48.00			R1-4	RUJ-2508	2	FORD UK
412	2	28.00		51.60			R1-4	K5-A850	4	KIA SORENTO
413	2	28.00		53.00			R1-4	RUJ-2050	2	MERCEDES BENZ
414	2	28.00		53.00			R1-4	RUJ-2052	1/9	BENZ HOLE IN CROSS
415	2	28.00		54.00			R1-4	RUJ-2053	2	MERCEDES BENZ
416	2	28.00		55.96			R1-4	RUJ-2028	2	NISSAN
417	2	28.00		55.96			R1-4	RUJ-2028PL	1	NISSAN H/DUTY NON-LUBE
419	2	28.00		59.10			R1-4	RUJ-2023	2	MAZDA
421	1	28.50	70.70				R2-4	K5-A838	3	ELBE 408
422	1	28.50	70.90				R2-4	K5-A741	3	ELBE 109 (NEW)
424	1	28.50	78.00				R2-4	K5-A562	3	MITSUBISHI
426	2	28.55		65.40			R1-4	RUJ-2051	2	GWB 185-10
428	1	28.58	66.67				R2-4	CPL14N	3	2000 P.T.O. SERIES
429	1	28.58	77.90				R2-4	K5-A519	3	TOYOTA
431	1	28.58 31.75	107.95 81.76				R2-4	K5-A798	3	WEASLER 35 CVJ
432	2	28.58		54.00			R1-4	114-2501	4	25R JAP CARDAN
434	2	28.58		59.53			R1-4	RUJ-2500R	1	25R SERIES HD
435	2	28.58		59.53			R1-4	RUJ-2500	1	25R SERIES
436	2	28.58		59.53			R1-4	RUJ-2503	4	25R SERIES LUBE
437	2	28.58		65.10			R1-4	114-3105	2	3R SERIES
438	2	28.58		65.10			R1-4	114-3105HD	1	3R SERIES SOLID CROSS
439	2	28.58		66.67			R1-4	114-232	2	CHRYSLER JOINT
442	5	28.58		65.10	36.52	69.85	R1-2 C3-2	114-3102	2	3R SERIES TO 3C MECH WT
443	5	28.58		65.10	36.52	69.85	R1-2 BB2-2	114-3120	2	3R SERIES TO 3C MECH BLOCK
445	2	28.58		82.55			R1-4	RUJ-4000	2	4R SERIES
446	5	28.58		82.55	42.85	88.90	R1-2 BB2-2	RUJ-4012	2	4R TO 5C MECH MITS FORKLIFT (HS-S4S-N)
448	5	28.58		82.55	36.52	87.32	R1-2 C1-2	RUJ-4002	2	4R TO 4C MECH COUNTER SUNK HOLES
451	5	28.58		82.55	36.52	87.32	R1-2 C1-2	114-4107	2	4R SERIES TO 4C MECH
452	5	28.58		82.55	36.52	87.32	R1-2 C3-2	RUJ-4005	2	4R SERIES TO 4C MECH
453	5	28.58		82.55	36.52	87.32	R1-2 BB2-2	114-4156	2	4R SERIES TO 4C MECH
454	2	28.60		65.10			R1-4	RUJ-2505	2	DAIHATSU / FURKAWA
455	1	28.60	74.60				R2-4	K5-A774	1	FIAT 130
459	1	29.00	76.60				R2-4	K5-A842	1	GREAT WALL
460	2	29.00		53.10			R1-4	RUJ-2033	2	ISUZU / HOLDEN
461	2	29.00		53.10			R1-4	RUJ-2036	4	ISUZU / HOLDEN
463	3	29.00 26.99	81.76	53.10			R1-2 R2-2	RUJ-2110	2	ISUZU TO 1310 SERIES
465	2	29.00		52.00			R1-4	RUJ-2100	4	TOYOTA HILUX 4WD
466	2	29.00		52.00			R1-4	RUJ-2100HD	4	TOYOTA HILUX 4WD H/DUTY
467	2	29.00		52.00			R1-4	RUJ-2109	3	TOYOTA HILUX 4WD
468	2	29.00		52.00			R1-4	RUJ-2109HD	3	TOYOTA 4WD HEAVY DUTY
469	3	29.00 26.99	81.76	52.00			R1-2 R2-2	RUJ-2113	2	TOYOTA HILUX 4WD TO 1310 SERIES
471	2	29.02		72.00			R1-4	RUJ-3011	2	HOLDEN JACKEROO
472	2	29.50		56.00			R1-4	RUJ-2509	2	MERCEDES BENZ

www.hardyspicer.com.au

Document No:	HSDSCAT
Issue:	14
Issue Date:	01/08/13

This catalogue is the copyright of Hardy Spicer

UNIVERSAL JOINT KITS

REF #	FIG	C	B1	B2	E	F	BEARING TYPE	PART #	SEE NOTES	DESCRIPTION
475	1	30.00	78.20				R2-4	K5-A585	3	MITSUBISHI CANTER
477	11	30.00	79.00		5.00		R2-4	K5-A724	16/18	ELBE 509 SERIES OFFSET
478	1	30.00	81.80				R2-4	K5-A611	3	GWB 287-10
479	1	30.00	83.00				R2-4	K5-A678	16/18	ELBE 409 SERIES
480	1	30.00	83.00				R2-4	K5-A760	3	ELBE 110 SERIES
481	1	30.00	83.00				R2-4	K5-A760-2X	4	ELBE 110 2 x Lube in Cap
482	12	30.00	96.00		6.00		R2-4	K5-A815	1	GWB 369.10 AXLE JOINT
483	2	30.00		46.00			R1-4	K5-A795	1	U/J KIT
484	2	30.00		58.30			R1-4	RUJ-3006	3	MITSUBISHI CANTER/PAJERO
485	2	30.00		74.20			R1-4	RUJ-4010	3	MITSUBISHI PAJERO
486	2	30.00		60.00			R1-4	RUJ-3012	3	FARMLINER (AGI)
487	1	30.16	92.08				R2-4	5-178X	2	1350 SERIES
488	1	30.16	92.08				R2-4	5-178XHD	1	1350 SERIES HEAVY DUTY
489	1	30.16	92.08				R2-4	5-178XLHD	2	1350 HEAVY DUTY WITH LUBE
490	1	30.16	92.08				R2-4	5-178-4X	4	1350 LUBED IN 4 x CAPS
491	1	30.16	92.08				R2-4	5-627XD	1	1350 SERIES H/D Solid Cross
493	1	30.20	92.08				R2-4	K5-A18R	3	1350 / T60 PTO
496	1	30.16	92.08				R2-4	K5-A541	2	1350 SERIES TO 1330 SERIES 9" DIFF
499	1	30.16	92.08				R2-4	K5-A819	1	1350 SERIES TO 1410 SERIES U/J
		30.16	106.30							
502	3	30.16	92.08				R2-2	RUJ-3001	2	FORD F500 SERIES
		30.16		65.10			R1-2			
505	2	30.16		55.57			R1-4	5-297X	1/16	1350 AXLE JOINT
506	2	30.16		55.57			R1-4	5-297-1X	4/16	AXLE JOINT LUBE IN CAP
507	2	30.16		55.57			R1-4	5-297CL	3/16	AXLE JOINT CENTRE LUBE
508	2	30.16		61.08			R1-4	K5-A845	16	AXLE JOINT JEEP 68017182AA
509	1	30.16	106.30				R2-4	K5-GB10R	2	1410 SERIES
510	1	30.16	106.30				R2-4	K5-GB10RHD	2	1410 SERIES HEAVY DUTY
511	1	30.16	106.30				R2-4	5-641XD	1	1410 LUBE FOR LIFE
514	3	30.16	106.30				R2-2	RUJ-4008	2	S55 TO 1410 SERIES CAN BE 4xGREASE IN CAP
		30.16		79.37			R1-2			
516	3	30.16	106.30				R2-2	5-357X	2	1410 SERIES TO 5380 DETROIT
		31.35		76.20			R1-2			
517	6	30.16	106.30		36.52	87.32	R2-2	5-345X	2	1410 SERIES TO 4C MECH - 2 x BLOCK (Str)
					36.52	87.32	BB2-2			
518	6	30.16	106.30				R2-2	5-346X	2	1410 SERIES TO 4C MECH-2 x WING (Thread)
519	1	30.20	80.00				R2-4	K5-A591	3	T50 PTO
520	1	30.20	101.40				R2-4	K5-A735	3	T60 WIDE ANGLE
		30.20	95.35							
521	1	30.20	81.80				R2-4	K5-A728	3	GWB 687-20 SERIES
522	1	30.20	81.80				R2-4	K5-A728-4X	4	GWB 687-20 LUBE IN 4 CAPS
523	1	30.20	81.80				R2-4	K5-A728W	3	GWB 687-20 SERIES
524	1	30.20	82.00				R2-4	K5-A816	1/16	B320 WHEEL JOINT
525	1	30.20	99.40				R2-4	K5-A825	4	BYPY 6 CV70 UJ KIT
526	1	30.20	106.30				R2-4	K5-A536	3	1410 SERIES PTO
527	1	31.00	110.00				R2-4	K5-A788	1	MERCEDES
529	2	31.25		76.20			R1-4	RUJ-4007	2	5380 DETROIT
530	2	31.35		50.80			R1-4	114-162	2	CHRYSLER
531	1	31.70	102.00				R2-4	K5-A563	3	MITSUBISHI CANTER
532	1	31.75	81.36				R2-4	CP35N-3	3	ROCKWELL
533	1	31.75	81.76				R2-4	K5-A799	3	WEASLER 44 CVJ
		31.75	109.54							
538	1	32.00	76.00				R2-4	K5-A592	3	WALTERSCHEID
541	2	32.00		59.92			R1-4	RUJ-3003	3	MAZDA
544	2	32.00		64.00			R1-4	RUJ-2041	2	TOYOTA LANDCRUISER
545	2	32.00		64.00			R1-4	RUJ-2041HD	2	TOYOTA L/CRUISER H/D
546	2	32.00		64.00			R1-4	RUJ-2041HD-1X	4	TOYOTA L H/D LUBE IN CAP
547	3	32.00		63.85			R1-2	RUJ-2078	4	TOYOTA LANDCRUISER TO 1350 SERIES
		30.16	92.08				R2-2			
549	2	32.00		68.00			R1-4	RUJ-3007	2	NISSAN PATROL 1988 -
550	2	32.00		87.00			R1-4	K5-A840	2	FURUKAWA
551	5	32.00		87.00			R1-2	RUJ-5004	2	FURUKAWA
					42.85	88.90	BB2-2			

www.hardyspicer.com.au

Document No:	HSDSCAT
Issue:	14
Issue Date:	01/08/13

This catalogue is the copyright of Hardy Spicer

UNIVERSAL JOINT KITS

REF #	FIG	C	B1	B2	E	F	BEARING TYPE	PART #	SEE NOTES	DESCRIPTION
552	1	32.00	86.00				R2-4	K5-A726	2	JOHN DEERE
553	1	32.00	95.60				R2-4	K5-A804	3	JCB
554	1	32.00	107.00				R4-4	K5-A564	2	NISSAN INCL 4 LOCK TABS REUSE BOLTS & PLATES
556	1	33.00	93.00				R2-4	K5-A679	3	ISUZU
557	1	33.00	103.00				R2-4	K5-A841	3	ISUZU
558	3	33.33 38.89	94.46	79.77			R1-2 R2-2	K5-A800	3	WEASLER 55 CVJ
559	2	33.35		84.15			R1-4	114-5109	2	5R SERIES
562	5	33.35		84.15			R1-2	114-5110	2	5R SERIES TO
565	5	33.35		84.15	42.85	88.90	C2-2			5C MECH
568	5	33.35		84.15	42.85	88.90	R1-2 C3-2	114-5132	2	5R SERIES TO 5C MECH
569	2	33.35		109.55			R1-2	114-5154	2	5R SERIES TO 5C MECH
570	5	33.35		109.55			R1-4	114-6135	2	6R SERIES
571	5	33.35		111.90	42.85	114.30	R1-2 BB2-2	114-6150	2	6R SERIES TO 6C MECH-2 x BLOCK (Str)
574	2	33.35		70.64	42.85	114.30	R1-2 C3-2	114-6107	2	6R SERIES TO 6C MECH-2 x WING (Thread)
576	1	34.00	89.00				R1-4	RUJ-3009	3	WEASLER 44 SERIES
577	1	34.00	96.00		6.00		R2-4	K5-A773	3	UNIMOG
578	1	34.00	97.00				R2-4	K5-A680	4/16	ELBE 511 - OFFSET
580	1	34.00	97.00				R2-4	K5-A681	4	ELBE 112 SERIES (OLD)
581	1	34.00	97.00				R2-4	K5-A723	16/18	ELBE 112 SERIES (OLD) LUBE ON SIDE OF CAP
582	1	34.00 35.00	97.00				R2-4	K5-A805	3	ELBE 112 OLD - 112 NEW
583	1	34.00	107.00				R2-4	K5-A682	3	TOYOTA
586	2	34.00		56.00			R1-4	RUJ-3004	3	WALTERSCHEID
587	1	34.90	92.00				R2-4	K5-A729	3	GWB 687-25
588	1	34.90	106.40				R2-4	K5-A730	3	GWB 687-30
589	1	34.90	106.40				R2-4	K5-A730W-4X	4	GWB 687-30 LUBE IN 4 CAPS
590	1	34.90	106.40				R2-4	K5-A730HT	3	GWB 687-30 HIGH TEMP
591	1	34.90	106.40				R2-4	K5-A730W	3	GWB 687-30
592	1	34.93	106.30				R2-4	5-188X	2	1480 SERIES
593	1	34.93	106.30				R2-4	K5-A538	3	1480 / T80 PTO
594	1	34.93 34.93	106.30 113.80				R2-4	K5-A765	3	T80 SERIES PTO WIDE ANGLE
595	6	34.93	106.30		42.85	88.90	R2-2 BB2-2	5-347X	2	1480 SERIES TO 5C MECH - 2 x BLOCK (Str)
598	6	34.93	106.30		42.85	88.90	R2-2 C3-2	5-348X	2	1480 SERIES TO 5C MECH-2xWING(Thread)
599	2	34.93		74.17			R1-4	K5-A808	1/16	AAM1485 AXLE JOINT
600	2	34.93		76.20			R1-4	5-332X	2/16	1480 AXLE JOINT
601	2	34.93		76.20			R1-4	5-88X	1/16	1480 AXLE JOINT
602	1	34.93	126.20				R2-4	5-155X	2	1550 SERIES
603	1	34.93	126.20				R2-4	5-155XHD	2	1550 SERIES HEAVY DUTY
604	1	34.93	126.20				R2-4	5-155XLFL	1	1550 SERIES LUBE FOR LIFE
605	6	34.93	126.20		42.85	114.30	R2-2 BB1-2	5-220X	2	1550 SERIES TO 6C MECH 2 x DELTA WING (Thread)
607	6	34.93	126.20		42.85	114.30	R2-2 BB2-2	5-221X	2	1550 SERIES TO 6C MECH - 2xBLOCK (Str)
610	6	34.93	126.20		49.21	107.50	R2-2 BB2-2	5-328X	2	1550 SERIES TO 58WB SERIES-2xBLOCK(Str)
611	5	35.00	104.50		43.00	83.50	R2-2 BB2-2	K5-A811	2	mitsubishi FORKLIFT SUITS SHAFT HS-S4S
612	11	35.00	87.00		7.00		R2-4	K5-A830	16/18	ELBE 510 AXLE JOINT
613	1	35.00	94.00				R2-4	K5-A693	3	BYPY
614	11	35.00	96.00		6.00		R2-4	K5-A771	4/16	ELBE 511 SERIES (NEW)
615	1	35.00	96.80				R2-4	K5-A612	3	GWB 587-10
616	1	35.00	96.80				R2-4	K5-A612-4X	4	GWB 587-10 LUBE IN 4 CAPS
617	1	35.00	96.80				R2-4	K5-A612HD	3	GWB 587-10 HEAVY DUTY
618	1	35.00	97.00				R2-4	K5-A749	3	ELBE 112 (NEW)
619	1	35.00	97.00				R2-4	K5-A749-4X	4	ELBE 112 LUBE IN 4 CAPS

www.hardyspicer.com.au

Document No:	HSDSCAT
Issue:	14
Issue Date:	01/08/13

This catalogue is the copyright of Hardy Spicer

UNIVERSAL JOINT KITS

REF #	FIG	C	B1	B2	E	F	BEARING TYPE	PART #	SEE NOTES	DESCRIPTION
620	1	35.00	97.00				R2-4	K5-A749-4XRB	4	ELBE 112 ROLLER BRG
621	1	35.00	97.00				R2-4	K5-A749HT	4	ELBE 112 HIGH TEMP
622	1	35.00	99.00				R2-4	K5-A566	3	HINO
623	1	35.00	104.00				R2-4	K5-A567	3	ISUZU
624	5	35.00		148.40	50.00	156.40	R1-2 BB1-2	RUJ-7003	4/9	KOMATSU WITH HOLE IN CROSS
625	1	35.50	119.00				R2-4	K5-A568	3	NISSAN
628	1	36.00	89.00				R2-4	K5-A593	3	WALTERSCHEID
631	1	36.00	97.00				R4-4	K5-A523	3	ISUZU
632	1	36.00	104.00				R2-4	K5-A569	3	mitsubishi
634	1	36.00	110.35				R2-4	K5-A571	2	HINO
637	1	36.00	115.60				R2-4	K5-A660	3	HINO
640	2	37.00		71.00			R1-4	RUJ-4009	3	MAZDA
643	2	38.00		62.00			R1-4	RUJ-3005	3	MERCEDES BENZ
646	1	38.00	89.20				R2-4	K5-A675	1	MERCEDES BENZ
649	1	38.00	104.00				R2-4	K5-A572	3	mitsubishi
650	1	38.00	104.50		8.00		R2-4	K5-A769	4	GWB 469-30 - OFFSET
651	1	38.00	104.50				R2-4	K5-A781	3	UNIMOG
652	1	38.00	105.80				R2-4	K5-A616	3	DAF
654	1	38.00	106.00				R2-4	K5-A683	4	ELBE 113 SERIES
655	1	38.00	106.00				R2-4	K5-A683HT	4	ELBE 113 HIGH TEMP
656	6	38.00	106.00		42.85	88.90	R2-2 BB2-2	K5-A796	4	ELBE 113 SERIES TO 5C MECH
657	11	38.00	107.00		7.50		R2-4	K5-A763	11/16	ELBE 512 - OFFSET
658	1	38.00	110.00				R2-4	K5-A684	2	MERCEDES BENZ
661	1	38.00	112.00				R2-4	K5-A685	2	186-20 SERIES
664	12	38.00	119.00		9.00		R2-4	K5-A638	1/16	GWB 369-30 - OFFSET
670	1	38.00	148.00				R2-4	K5-A645	2	SCANIA TAPER BRKTS
676	1	38.89	109.60				R2-4	CP55N	3	ROCKWELL
679	1	39.00	116.40				R2-4	K5-A632	2	FIAT TRUCK
680	1	39.00	118.00				R2-4	K5-A831	2	U/J KIT CHINESE BUS
682	1	39.00	127.00				R2-4	K5-A542	3	SCANIA / VOLVO
685	1	39.70	115.90				R2-4	K5-GB22R	2	1510 SERIES
686	1	39.70	115.90				R2-4	K5-A725	3	1630 SERIES HEAVY DUTY
688	7	39.70	115.90				R5-4	K5-GB15R	2	1510 SERIES(Lock Plate)
689	11	40.00	104.30		8.00		R2-4	K5-A823	1	GWB 569.32 STEER AXLE
690	1	40.00	111.00				R2-4	K5-A759	3	mitsubishi
691	1	40.00	115.00				R2-4	K5-A639	2	ISUZU
692	1	40.00	115.50				R2-4	K5-A748	3	HINO
694	1	40.00	118.00				R4-4	K5-A573	2	TOYOTA
697	5	40.00		169.20	50.10	180.60	R1-2 BB2-2	RUJ-8001	4/9	KOMATSU WITH HOLE IN CROSS
700	1	41.00	108.00				R2-4	K5-A665	3	T90 PTO
703	1	41.00	118.00				R2-4	K5-A594	3	SERIES 10 PTO
704	5	41.00		110.50	49.21	117.60	R1-2 BB2-2	RUJ-7001	2	FURUKAWA/KOMATSU
706	1	41.28	128.63				R2-4	CP750N-1	3	750N SERIES
707	1	41.28	125.91				R2-4	K5-A782	3	SPL90 SERIES
709	1	41.28	142.00				R2-4	5-165X	2	1650 SERIES
712	6	41.28	142.00		49.21	117.60	R2-2 C3-2	5-331X	2	1650 SERIES TO 7C MECH-2xWING (Thread)
715	6	41.28	142.00		49.21	117.60	R2-2 BB2-2	5-330X	2	1650 SERIES TO 7C MECH - 2xBLOCK (Str)
718	5	41.28		111.10	49.21	117.60	R1-2 BB2-2	RUJ-7002	2	TOYOTA / TCM KOMATSU / JCB 7R-7C
721	2	41.28		111.10			R1-4	114-7294	2	7R MECH
724	5	41.28		167.87	49.21	174.63	R1-2 BB2-2	114-8014	2	U/J/KIT
726	1	42.00	104.00				R2-4	K5-A595	3	WALTERSCHEID
727	1	42.00	104.50				R2-4	K5-A622	3	GWB 587-15
728	1	42.00	106.00				R2-4	K5-A837	3	ATEGO
729	11	42.00	110.00		7.50		R2-4	K5-A742	4/16	ELBE 513 - OFFSET
730	1	42.00	115.00				R2-4	K5-A753	3	ISUZU
731	1	42.00	117.50				R2-4	K5-A783	3	ELBE 148 SERIES
732	1	42.00	119.40				R2-4	K5-A731	3	GWB 687-35

www.hardyspicer.com.au

Document No:	HSDSCAT
Issue:	14
Issue Date:	01/08/13

This catalogue is the copyright
of Hardy Spicer

UNIVERSAL JOINT KITS

REF #	FIG	C	B1	B2	E	F	BEARING TYPE	PART #	SEE NOTES	DESCRIPTION
733	1	42.00	119.40				R2-4	K5-A731-4X	4	GWB 687-35 LUBE IN 4CAPS
734	1	42.00	119.40				R2-4	K5-A731W	3	GWB 687-35
735	1	42.00	123.00				R2-4	K5-A686	3	ELBE 115 SERIES
736	1	42.00	125.00				R4-4	K5-A574	3	ISUZU
739	2	42.00		72.00			R1-4	RUJ-5001	3	MERCEDES BENZ
742	1	43.00	128.00				R4-4	K5-A575	3	NISSAN UD
745	1	43.00	136.00				R4-4	K5-A547	3	NISSAN UD
748	1	44.00	124.80				R2-4	K5-A614	3	DAF / MAN
750	1	44.00	126.20				R2-4	K5-A607	3/6	VOLVO (1610) 300 SERIES
751	1	44.00	129.00				R4-4	K5-A576	3	MITSUBISHI
752	1	44.00	129.00				R2-4	K5-A755	3	MITSUBISHI
753	1	44.00	131.00				R2-4	K5-A784	3	MITSUBISHI
757	1	44.00	149.00				R2-4	K5-A596	3	SCANIA T60 (No Wings)
760	2	44.00		84.00			R1-4	RUJ-5002	3	MERCEDES BENZ
761	2	44.03		120.00			R1-4	K5-A832	2	U/J KIT FOTON
763	1	45.00	120.40				R2-4	K5-A606	3	MERCEDES BENZ
765	11	45.00	125.00		8.00		R2-4	K5-A762	1/16	ELBE 515 - OFFSET
766	1	45.00	131.00				R2-4	K5-A687	3	ELBE
768	1	45.00	152.00				R2-4	K5-A803	18	ELBE 418 SERIES
769	1	45.00	152.00				R2-4	K5-A605	3	ELBE 118 SERIES
770	11	45.50	114.10		10.00		R2-4	K5-A778	1/16	WHEEL JOINT - OFFSET
772	1	46.00	136.00				R4-4	K5-A577	3	ISUZU
775	1	46.00	142.00				R4-4	K5-A578	3	MITSUBISHI
778	1	46.00	148.00				R4-4	K5-A586	3	MITSUBISHI
781	1	47.00	124.00				R4-4	K5-A579	3	HINO
784	1	47.00	130.00				R4-4	K5-A662	3	HINO
787	1	47.00	131.00				R2-4	K5-A617	2	HANOMAG
790	1	47.00	138.00				R4-4	K5-A580	3	HINO
791	1	47.00	140.00				R2-4	K5-A827	2	CHINESE TRUCK & BUS
792	12	47.00	142.00				R2-4	K5-A794	1	GWB 369.40 AXLE JOINT
793	1	47.00	144.10				R4-4	K5-A581	3	HINO
794	6	47.60	135.17		68.00	111.00	R2-2 BB2-2	K5-A814	1	GWB 687-40 TO TELMA / RENAULT
795	1	47.60	135.17				R2-4	K5-A732	3	GWB 687-40
796	1	47.60	135.17				R2-4	K5-A732-4X	4	GWB 687-40 LUBE 4xCAPS
797	1	47.60	135.17				R2-4	K5-A732W	3	GWB 687-40
798	7	47.63	134.94		58.72		R5-4	5-279X	2	1610 SERIES
799	9	47.63	134.94		58.72		R5-2	5-674X	2/14	1610 SERIES to 1/2 ROUND WITH STRAP KIT
		47.63	134.94				R2-2			
802	1	48.00	116.50				R2-4	K5-A623	3	GWB 587-20
805	1	48.00	126.00				R2-4	K5-A633	3	MERCEDES BENZ/ELBE 158
808	1	48.00	131.20				R2-4	K5-A689	2	KEMPF
810	1	48.00	135.40				R2-4	K5-A793	3	KLEIN 490 SERIES / IVECO
811	1	48.00	145.00				R4-4	K5-A582	3	ISUZU
814	1	48.00	161.00				R2-4	K5-A598	3	SCANIA STR BRKTS
820	1	48.00	161.00				R2-4	K5-A599	3	SCANIA TAPER BRKTS
823	1	49.00	135.00				R5-4	K5-A691	3	FIAT
826	1	49.00	136.00				R2-4	K5-A704	4	SERIES 12 PTO 4 LUBE IN CAP
829	1	49.00	155.00				R4-4	K5-A631	2	FIAT TRUCK
831	1	49.20	154.70				R2-4	K5-A779	3	GWB 687-50 SERIES
832	1	49.21	130.18				R4-4	CP6N	3	CP6N SERIES
835	1	49.21	150.72				R2-4	CP850N-4	3	850N SERIES
838	7	49.21	154.78		61.90		R5-4	5-280X	2	1710 SERIES
841	9	49.21	154.78		61.90		R5-2	5-675X	2/15	1710 SERIES - 1/2 ROUND WITH STRAP KIT
		49.21	157.08				R2-2			
847	8	49.21	154.78		61.90 71.44	123.83	R5-2 BB2-2	K5-A696	2/15	1710 SERIES 1/2 ROUND to 8.5C MECH
850	7	49.21	177.80				R5-4	5-407X	2	1760 SERIES
853	9	49.21	177.80		61.90		R5-2	5-677X	2	1760 SERIES to 1/2 ROUND WITH STRAP KIT
		49.21	180.10				R2-2			
856	7	49.21	191.69		61.90		R5-4	5-281X	2	1810 SERIES
859	9	49.21	191.69		61.90		R5-2	5-676X	2/15	1810 SERIES to 1/2 ROUND WITH STRAP KIT
		49.21	194.00				R2-2			
862	8	49.21	191.69		61.90 71.44	168.30	R5-2 BB2-2	5-324X	2	1810 SERIES TO 9C MECH. MACK TRUCK

www.hardyspicer.com.au

Document No:	HSDSCAT
Issue:	14
Issue Date:	01/08/13

This catalogue is the copyright of Hardy Spicer

UNIVERSAL JOINT KITS

REF #	FIG	C	B1	B2	E	F	BEARING TYPE	PART #	SEE NOTES	DESCRIPTION
864	1	50.00	118.00				R2-4	K5-A752	3	WALTERSCHEID W2700
865	4	50.00	131.00				R2-4	K5-A692	3	HANOMAG
868	1	50.00	152.60				R2-4	K5-A543	3/6	VOLVO 400 SERIES
871	1	50.00	153.00				R2-4	K5-A636	3	GWB 287-40
873	1	50.00	155.00				R4-4	K5-A754	3	ISUZU
874	1	50.00	159.00				R4-4	K5-A583	2	HINO
877	1	50.00	164.00				R2-4	K5-A597	3	SCANIA T70
880	1	50.00	165.00				R4-4	K5-A659	3	HINO
883	1	50.80	150.83				R4-4	CP7N	2	7N SERIES
884	1	52.00	125.00				R2-4	K5-A780	3	COMER D120 SERIES
885	1	52.00	133.00				R2-4	K5-A619	3	GWB 587-30
886	1	52.00	147.20				R2-4	K5-A722	3	GWB 687-45
887	1	52.00	147.20				R2-4	K5-A722-4X	4	GWB 687-45 LUBE 4xCAPS
888	1	52.00	147.20				R2-4	K5-A722SF	3	GWB 687-45 SERVICE FREE
889	1	52.00	147.20				R2-4	K5-A722W	3	GWB 687-45
890	1	52.00	154.00				R4-4	K5-A584	3	MITSUBISHI
891	1	52.00	160.00				R4-4	K5-A670	3	MITSUBISHI
892	1	52.00	170.00				R4-4	K5-A758	3	MITSUBISHI
893	6	52.32	174.75				R2-2	K5-A813	1	RPL20 SERIES
					71.37	134.62	BB2-2			
894	6	52.32	208.28				R2-2	K5-A806	1	RPL25 SERIES
					71.37	168.40	BB2-2			
895	1	53.00	135.00				R2-4	K5-A658	3	MERCEDES BENZ/ELBE117
896	1	53.50	155.00				R4-4	K5-A786	3	ISUZU
898	1	55.00	164.00				R4-4	K5-A548	3	NISSAN UD
901	1	55.00	164.00				R2-4	K5-A618	3	HANOMAG
902	1	55.00	164.00				R2-4	SPL170X	3	SPL170 SPICER
903	1	55.00	164.00				R2-4	SPL170XW	3	SPL170 SPICER
904	1	55.00	169.00				R4-4	K5-A694	3	ISUZU
907	7	55.55	205.59		71.44		R5-4	5-308X	2	1880 SERIES
910	8	55.55	205.59		71.44	168.30	R5-2	5-326X	2	1880 SERIES TO 9C MECH - 2xBLOCK (Str)
					71.44	168.30	BB2-2			
913	8	55.55	205.59		71.44	168.30	R5-2	5-327X	2	1880 SERIES TO 9C MECH-xBLOCK(Thread)
					71.44	168.30	BB1-2			
916	1	55.55	205.59				R2-4	5-185X	2	1850 SERIES
919	6	55.55	205.59				R2-2	5-186X	2	1850 SERIES TO 9C MECH - 2xBLOCK (Str)
					71.44	168.30	BB2-2			
924	1	57.00	144.00				R2-4	K5-A624	3	GWB 587-35 / 36
927	1	57.00	152.06				R2-4	K5-A620	2	GWB 587-42 / 687-55
928	1	57.00	152.06				R2-4	K5-A620-4X	4	GWB 587-42 4xLUBE IN CAP
929	1	57.00	152.06				R2-4	K5-A620SF	2	GWB 687-55 SERVICE FREE
930	1	57.00	152.06				R2-4	K5-A620W	2	GWB 587-42 / 687-55
931	1	57.00	152.60				R2-4	K5-A647	3/6	VOLVO 500/600 SERIES
932	1	57.00	152.60				R2-4	K5-A647W	3/6	VOLVO 500/600 SERIES
933	1	57.00	152.06				R2-2	K5-A768	3	SCANIA P500 TAPER BRKTS
		57.00	164.00				R2-2			GWB 687-55 CONVERSION
934	1	57.00	164.00				R2-4	K5-A600	3	SCANIA T71 STR BRKTS
935	1	57.00	164.00				R2-4	K5-A601	3	SCANIA P50 TAPER BRKTS
936	1	57.00	172.00				R2-4	K5-A833	3	KLEIN 680 SERIES
937	1	58.00	175.00				R4-4	K5-A785	3	HINO
938	7	59.00	167.49		71.44		R5-4	5-124X	7	1800 SERIES
939	1	59.00	167.69				R2-4	K5-A733	3	GWB 687-60
940	1	59.00	167.69				R2-4	K5-A733SF	3	GWB 687-60 SERVICE FREE
941	1	60.00	163.00				R2-4	SPL250X	3	SPL250 SERIES
942	1	60.00	163.00				R2-4	SPL250XW	3	SPL250 SERIES
943	1	60.00	163.00				R2-4	SPL250-SF3X	3	SPL250 SERVICE FREE
944	1	60.00	170.00				R4-4	K5-A630	2	FIAT TRUCK
946	1	63.50	178.00				R4-4	K5-A695	2	NISSAN UD
947	1	63.53	196.14				R2-4	CP950N	3	950N SERIES
948	1	65.00	161.80				R2-4	K5-A743	3/20	VOITH S180.5 SERIES
949	1	65.00	172.00				R2-4	K5-A643	3	GWB 587-48/687-65/ELBE 122
950	1	65.00	172.00				R2-4	K5-A643-4X	4	GWB 587-48 LUBE IN 4 CAPS
951	1	65.00	172.00				R2-4	K5-A643SF	3	GWB 687-65 SERVICE FREE
952	1	65.00	172.00				R2-4	K5-A643W	3	GWB 587-48/687-65/ELBE 122
953	1	65.00	190.00				R2-4	K5-A756	3	SCANIA
954	2	65.00		143.00			R3-4	K5-A634	3	GWB 190-50

www.hardyspicer.com.au

Document No:	HSDSCAT
Issue:	14
Issue Date:	01/08/13

This catalogue is the copyright of Hardy Spicer

UNIVERSAL JOINT KITS

REF #	FIG	C	B1	B2	E	F	BEARING TYPE	PART #	SEE NOTES	DESCRIPTION
955	2	68.00		95.00			R1-4	K5-A775	3	MERCEDES 656
956	2	68.00		123.00			R1-4	K5-A802	3	MERCEDES 659 (385-65)
957	7	68.00	192.00				R5-4	K5-A851	2	BELKARD
958	7	71.43	223.04				R4-4	5-54X	2	1900 SERIES
959	1	72.00	185.00				R2-4	K5-A625	3	GWB 587-50
960	1	72.00	185.00				R2-4	K5-A625-4X	4	GWB 587-50 LUBE IN 4 CAPS
961	4	74.00		129.00			R3-4	K5-A707	2	GWB 292-50 / 392-50
962	4	74.00		129.00			R3-4	K5-A707W	2	GWB 292-50 / 392-50
964	4	74.00		154.00			R3-4	K5-A626	2	GWB 190-55
965	4	74.00		154.00			R3-4	K5-A626W	2	GWB 190-55
968	1	74.00	176.00				R2-4	K5-A789	3/20	VOITH MT225.8 SERIES
969	1	74.00	176.00				R2-4	K5-A789-4X	4/20	VOITH MT225.8 Lube in Cap
972	1	74.00	184.90				R2-4	K5-A792	3/20	VOITH ST250.8 / WT225.8
975	1	74.00	195.00				R2-4	K5-A801	4	KEMPF 104 & 106 SERIES
978	1	74.00	217.00				R2-4	K5-A708	3	GWB 587-55
979	1	74.00	217.00				R2-4	K5-A708-4X	4	GWB 587-55 LUBE IN 4 CAPS
980	1	74.00	217.00				R2-4	K5-A708W	3	GWB 587-55
982	7	77.80	255.19				R5-4	5-339XD	2	1950 SERIES
985	4	83.00		129.00			R3-4	K5-A714	2	GWB 390-60
987	4	83.00		139.00			R3-4	K5-A709	2	GWB 292-55 / 392-55
990	4	83.00		150.00			R3-4	K5-A810	3	SDS TYPE 2C
992	4	83.00		175.00			R3-4	K5-A627	2	GWB 190-60
993	4	83.00		175.00			R3-4	K5-A627W	2	GWB 190-60
995	1	83.00	185.00				R2-4	K5-A772	3/20	VOITH 250.8 SERIES
996	1	83.00	185.00				R2-4	K5-A772-4X	4/20	VOITH 250.8 4xLUBE IN CAP
998	1	83.00	220.00				R2-4	K5-A737	3/20	VOITH S250 SERIES
999	1	83.00	220.00				R2-4	K5-A737-4X	4/20	VOITH S250 4xLUBE IN CAP
1001	1	83.00	231.40				R2-4	K5-A826	3	GWB 587-60 SERIES
1004	1	90.00	192.00				R2-4	K5-A822	4	WUXI SWC225 SERIES
1008	4	95.00		139.00			R3-4	K5-A715	3	GWB 390-65
1009	4	95.00		139.00			R3-4	K5-A715-4X	4	GWB 390-65 4xLUBE IN CAP
1011	4	95.00		160.00			R3-4	K5-A710	2	GWB 292-60 / 392-60
1012	4	95.00		160.00			R3-4	K5-A710-4X	4	GWB 292-60 4xLUBE IN CAP
1015	4	95.00		190.00			R3-4	K5-A628	2	GWB 190-65
1016	4	95.00		190.00			R3-4	K5-A628W	2	GWB 190-65
1018	1	95.00	224.40				R2-4	K5-A761	3/20	VOITH 250.8 SERIES
1019	1	95.00	224.40				R2-4	K5-A761-4X	4	VOITH 250.8 4xLUBE IN CAP
1022	1	95.00	255.70				R2-4	K5-A736	3/20	VOITH 285.9 SERIES
1023	1	95.00	255.70				R2-4	K5-A736-4X	3/20	VOITH 285.9 4xLUBE IN CAP
1026	4	110.00		160.00			R3-4	K5-A716	3	GWB 390-70
1028	4	110.00		176.00			R3-4	K5-A711	2	GWB 292-65 / 392-65
1029	4	110.00		176.00			R3-4	K5-A711-4X	4	GWB 292-65 4xLUBE IN CAP
1032	4	110.00		210.00			R3-4	K5-A629	2	GWB 190-70
1035	1	110.00	251.50				R2-4	K5-A818-4X	4/20	VOITH MT315.8 SERIES
1037	1	110.00	275.00				R2-4	K5-A747	3/20	VOITH 315.9 SERIES
1038	1	110.00	275.00				R2-4	K5-A747-4X	4	VOITH 315.9 4xLUBE IN CAP
1041	4	120.00		176.00			R3-4	K5-A717	3	GWB 390-75
1042	4	120.00		176.00			R3-4	K5-A717-4X	4	GWB 390-75 4xLUBE IN CAP
1044	4	120.00		196.00			R3-4	K5-A718	3	GWB 292.70 / 392.70
1045	4	120.00		196.00			R3-4	K5-A718-4X	4	GWB 292.70 4xLUBE IN CAP
1048	4	120.00		235.00			R3-4	K5-A712	2	GWB 190-75
1051	4	130.00		196.00			R3-4	K5-A719	3	GWB 390-80 SERIES
1052	4	130.00		196.00			R3-4	K5-A719-4X	4	GWB 390-80 4xLUBE IN CAP
1054	4	130.00		216.00			R3-4	K5-A790	3	GWB 292/392/393.75 SERIES
1057	4	130.00		262.00			R3-4	K5-A713	2	GWB 190-80
1059	4	130.00	270.00				R2-4	K5-A797-4X	4	VOITH 350.8 4xLUBE IN CAP
1062	4	154.00		250.00			R3-4	K5-A820	3	GWB 292/392/393.80 SERIES
1063	4	154.00		250.00			R3-4	K5-A820-4X	4	GWB 393.80 4xLUBE IN CAP
1067	4	170.00		276.00			R3-4	K5-A791	3	GWB 292/392/393.85 SERIES
1068	4	170.00		276.00			R3-4	K5-A791-4X	4	GWB 393.85 4xLUBE IN CAP
1070	1	175.00	383.00				R2-4	K5-A770	3/20	VOITH 440.9 SERIES
1072	1	188.00	420.00				R2-4	K5-A807	3	VOITH 490.9 SERIES
1075	4	195.00		315.00			R3-4	K5-A821	3	GWB 292/392/393.90 SERIES
1078	10	13.21			33.34	59.53	C3-4	114-2110	4	2C MECH-4xWING (Thread)

www.hardyspicer.com.au

Document No:	HSDSCAT
Issue:	14
Issue Date:	01/08/13

This catalogue is the copyright of Hardy Spicer

UNIVERSAL JOINT KITS

REF #	FIG	C	B1	B2	E	F	BEARING TYPE	PART #	SEE NOTES	DESCRIPTION
1079	10	13.21 13.21			33.34 33.34	59.53 59.53	C1-2 C3-2	114-2116	2	2C MECH-2xWING (C/Sunk) -2xWING (Thread)
1081	10	13.21 13.21			33.34 33.34	59.53 59.53	C1-2 C3-2	114-2185	4	2C MECH-2xWING(C/Sunk) -2xWING (Thread)
1083	10	13.21			33.34	59.53	C1-4	114-2117	2	2C MECH-4xWING(C/Sunk)
1085	10	13.21			33.34	59.53	C2-4	RUJ-2046	4	2C MECH-4xWING (Straight)
1086	10	15.50			36.52	69.85	BB2-4	114-3125	4	3C MECH-4xBLOCK (Thread)
1087	10	15.50			36.52	69.85	C3-4	114-3100	2	3C MECH-4xWING (Thread)
1088	10	15.50 15.50			36.52 36.52	69.85 69.85	C1-2 C3-2	114-3101	2	3C MECH-2xWING(C/Sunk) -2xWING (Thread)
1089	10	15.50			36.52	69.85	C1-4	114-3103	2	3C MECH-4xWING(C/Sunk)
1091	10	15.50 15.50			36.52 36.52	87.32 87.32	C1-2 C3-2	RUJ-4003	2	4C MECH-2xWING(C/Sunk) -2xWING (Thread)
1093	10	15.50 15.50			36.52 36.52	87.32 87.32	C1-2 C2-2	114-4105	2	4C MECH-2xWING(C/Sunk) -2xWING (Straight)
1095	10	15.50 15.50			36.52 36.52	87.32 87.32	C3-2 BB2-2	114-4110	2	4C MECH-2xWING (Thread) -2xBLOCK(Straight)
1097	10	15.50			36.52	87.32	BB2-4	114-4113	2	4C MECH-4xBLOCK(Straight)
1099	10	15.50			36.52	87.32	C3-4	114-4100	2	4C MECH-4xWING (Thread)
1100	10	15.50 15.50			36.52 36.52	87.32 87.32	C1-2 C3-2	114-4103	2	4C MECH-2xWING(C/Sunk) -2xWING (Thread)
1103	10	17.53			42.85	88.90	C3-4	114-5122	2	5C MECH-4xWING (Thread)
1105	10	17.53			42.85	88.90	C2-4	114-5148	2	5C MECH-4xWING (Straight)
1108	10	17.53			42.85	88.90	BB2-4	114-5177	2	5C MECH-4xBLOCK(Straight)
1109	10	17.53			42.85	88.90	BB2-4	114-5177PL	1	5C MECH LUBED For LIFE
1111	10	17.53 17.53			42.85 42.85	88.90 88.90	C1-2 C3-2	114-5127	2	5C MECH-2xWING(C/Sunk) -2xWING (Thread)
1114	10	17.53 17.53			42.85 42.85	88.90 88.90	C3-2 BB2-2	114-5173	2	5C MECH-2xWING (Thread) -2xBLOCK(Straight)
1116	10	17.53 17.53			42.85 42.85	88.90 88.90	C3-2 BB2-2	114-5031	1/9	5C MECH-2xWING (Thread) -2xBLOCK(Straight)
1120	10	17.53			42.85	114.30	C1-2	114-6104	2	6C MECH-4xWING(C/Sunk)
1123	10	17.53			42.85	114.30	BB2-4	114-6128	2	6C MECH-4xBLOCK(Straight)
1124	10	17.53			42.85	114.30	BB2-4	114-6128PL	1	6C MECH LUBED For LIFE
1125	10	17.53			42.85	114.30	BB2-4	114-6128R	1	6C MECH PREMIUM
1127	10	17.53			42.85	114.30	C3-4	114-6143	2	6C MECH-4xWING (Thread)
1128	10	17.53			42.85	114.30	C3-4	114-6143R	2	6C MECH PREMIUM
1130	10	17.53 17.53			42.85 42.85	114.30 114.30	C2-2 C3-2	114-6103	2	6C MECH-2xWING (Straight) -2xWING (Thread)
1132	10	17.53 17.53			42.85 42.85	114.30 114.30	C3-2 BB2-2	114-6114	2	6C MECH-2xWING (Thread) -2xBLOCK(Straight)
1133	10	17.53 17.53			42.85 42.85	114.30 114.30	C3-2 BB2-2	114-6114R	2	6C MECH PREMIUM 2xWING (Thrd)-2xBLOCK(Str)
1136	10	17.53 17.53			42.85 42.85	114.30 114.30	C2-2 C3-2	114-6152	2	6C MECH-2xWING (Straight) -2xWING (Thread)
1138	10	17.53 17.53			42.85 42.85	114.30 114.30	BB2-2 BB3-2	114-6285	2	6C MECH-2xBLOCK(Straight) -2xDbI. Sided Block
1140	10	17.53 20.57			42.85 49.21	114.30 117.60	C3-2 C3-2	114-6162	2	6C MECH-4xWING (Thread) TO 7C MECH
1143	10	17.53 20.57			42.85 49.21	114.30 117.60	C3-2 BB2-2	114-6163	2	6C MECH-2xWING (Thread) TO 7C MECH-2xBLOCK (Str.)
1144	10	17.53 20.57			42.85 49.21	114.30 117.60	BB2-2 C3-2	114-6164	2	6C MECH-2xBLOCK (Str) TO 7C MECH-2xWing(Thread)
1146	10	17.53 20.57			42.85 49.21	114.30 117.60	BB2-2 BB2-2	114-6166	2	6C MECH-2xBLOCK (Str) TO 7C MECH-2xBLOCK (Str.)
1148	10				46.00	108.00	BB2-4	RUJ-6069	2	TCM
1150	10				49.20	104.00	BB2-4	114-7295	3	DEUTZ Tractor-4xBLOCK(Str.)
1152	10	20.57			49.21	107.50	C3-4	CP58WB-29	2	ROCKWELL-4xWing(Thrd.)
1154	10	20.57			49.21	107.50	BB2-4	CP58WB-38	2	ROCKWELL - 4xBLOCK (Str.)
1156	10	20.57			49.21	107.50	C3-2	CP58WB-37	2	ROCKWELL-2xWing(Thrd.)
1158	10	20.57			49.21	117.60	BB2-4	114-7273	2	7CMECH 4xLUBE IN CROSS
1162	10	20.57			49.21	117.60	BB2-4	114-7126	2	7CMECH4xBLOCK(Straight)
1163	10	20.57			49.21	117.60	BB2-4	114-7126PL	1	7C MECH LUBED For LIFE
1164	10	20.57			49.21	117.60	BB2-4	114-7126R	1	7C MECH PREMIUM

www.hardyspicer.com.au

Document No:	HSDSCAT
Issue:	14
Issue Date:	01/08/13

This catalogue is the copyright of Hardy Spicer

UNIVERSAL JOINT KITS

REF #	FIG	C	B1	B2	E	F	BEARING TYPE	PART #	SEE NOTES	DESCRIPTION
1167	10	20.57			49.21	117.60	C3-4	114-7205	2	7C MECH-4xWING (Thread)
1168	10	20.57			49.21	117.60	C3-4	114-7205R	2	7C MECH PREMIUM
1170	10	20.57			49.21	117.60	C1-4	114-7208	2	7C MECH-4xWing(C/Sunk)
1172	10	20.57			49.21	117.60	C3-2	114-7207	2	7C MECH-2xWING(Thread)
		20.57			49.21	117.60	BB2-2			-2xBLOCK (Str)
1173	10	20.57			49.21	117.60	C3-2	114-7207R	2	7C MECH PREMIUM
		20.57			49.21	117.60	BB2-2			2xWING(Thrd)-2xBLOCK(Str)
1175	10	20.57			49.21	117.60	C1-2	114-7206	2	7C MECH-2xWing (C/Sunk)
		20.57			49.21	117.60	C3-2			-2xWING (Thread)
1177	10	20.57			49.21	117.60	C1-2	114-7209	2	7C MECH-2xWING(C/Sunk)
		20.57			49.21	117.60	BB2-2			-2xBLOCK(Straight)
1180	10	20.57			49.21	174.63	BB2-4	114-8113	2	8C MECH-4xBLOCK(Str)
1181	10	20.57			49.21	174.63	BB2-4	114-8113PL	1	8C MECH LUBE FOR LIFE
1182	10	20.57			49.21	174.63	BB2-4	114-8113R	1	8C MECH PREMIUM
1185	10	20.57			49.21	174.63	C3-4	114-8205	2	8C MECH-4xWING (Thread)
1186	10	20.57			49.21	174.63	C3-4	114-8205R	2	8C MECH PREMIUM
1188	10	20.57			49.21	174.63	C1-2	114-8206	2	8C MECH-2xWING(C/Sunk)
		20.57			49.21	174.63	C3-2			-2xWING (Thread)
1190	10	20.57			49.21	174.63	C3-2	114-8207	2	8C MECH-2xWING (Thread)
		20.57			49.21	174.63	BB2-2			-2xBLOCK (Str)
1191	10	20.57			49.21	174.63	C3-2	114-8207R	2	8C MECH PREMIUM
		20.57			49.21	174.63	BB2-2			2xWING (Thr)-2xBLOCK (Str)
1193	10				50.00	115.00	C3-4	RUJ-7000	2	ISUZU - 4xWING (Thread)
1195	10				50.10	180.60	BB2-4	RUJ-8002	4/9	KOMATSU-4xBLOCK(STR)
1198	10				56.00	140.00	C3-4	114-8209	2	ISUZU - 4xWING (Thread)
1200	10				60.00	104.00	BB2-4	114-8210	2	FURUKAWA-4xBLOCK(Str)
1202	10	23.50			60.00	146.00	BB2-4	RUJ-9902	2	UG 990 SERIES
1205	10				60.10	159.00	C3-4	RUJ-8003	3	U/J KIT
1207	10	23.37			61.98	125.22	BB2-4	114-8211	2	J170 - 4xBLOCK (Straight)
1210	10	28.50			70.00	168.00	BB2-4	RUJ-91110	2	UG 1110 SERIES
1212	10	25.40			71.44	123.83	BB2-4	114-8516	2	8.5C MECH-4xBLOCK (Str)
1213	10	25.40			71.44	123.83	BB2-4	114-8516PL	1	8-5C MECH Lube For Life
1214	10	25.40			71.44	123.83	BB2-4	114-8516R	1	8-5C MECH PREMIUM
1217	10	25.40			71.44	123.83	C3-4	114-8514	2	8-5C MECH-4xWING(Thread)
1219	10	25.40			71.44	123.83	C3-2	114-8508	2	8-5C MECH-2xWING(Thread)
		25.40			71.44	123.83	BB2-2			-2xBLOCK (Str.)
1220	10	25.40			71.44	123.83	C3-2	114-8508R	2	8-5C MECH PREMIUM
		25.40			71.44	123.83	BB2-2			2xWING(Thrd)-2xBLOCK (Str.)
1222	10	25.40			71.44	168.30	C3-4	114-9014HD	1	9C MECH-4xWING (Thread)
1223	10	25.40			71.44	168.30	C3-4	114-9014R	1	9C MECH PREMIUM
1226	10	25.40			71.44	168.30	C1-4	114-9015	2	9C MECH-4xWing(C/Sunk)
1228	10	25.40			71.44	168.30	BB2-4	114-9016	2	9C MECH - 4xBLOCK (Str.)
1229	10	25.40			71.44	168.30	BB2-4	114-9016PL	1	9C MECH LUBE FOR LIFE
1230	10	25.40			71.44	168.30	BB2-4	114-9016R	1	9C MECH PREMIUM
1232	10	25.40			71.44	168.30	BB2-4	114-9038	3	9C MECH - CENTRE LUBE
1233	10	25.40			71.44	168.30	C3-2	114-9017	2	9C MECH-2xWING (Thread)
		25.40			71.44	168.30	BB2-2			-2xBLOCK (Straight)
1234	10	25.40			71.44	168.30	C3-2	114-9017R	2	9C MECH PREMIUM
		25.40			71.44	168.30	BB2-2			2xWING (Thrd)-2xBLOCK(Str)
1236	10	25.40			71.44	168.30	C1-2	114-9026	2	9C MECH-2xWING (C/Sunk)
		25.40			71.44	168.30	C3-2			-2xWING (Thread)
1239	10	28.19			71.44	168.30	BB2-4	114-9500	1	9.5C/J310 - 4xBLOCK (Str.)
1242	10	32.50			82.00	198.00	BB2-4	RUJ-11500	2	ICUG 11.5C SERIES
1245	10	34.00			88.90	172.72	BB2-4	RUJ-11000	2	KOMATSU
1248	10	34.04			88.90	172.72	BB2-4	114-10500	2	10.5C/J490-4xBLOCK (Str.)
										.625" BOLTS
1251	10	40.13			88.90	172.72	BB2-4	114-11002	2	11C/J600-4xBLOCK(Str)
										.750" BOLTS
1254	10	34.04			88.90	172.72	BB2-4	114-10033	2	J490 TO 10C MECH
		32.51			92.07	165.10				(.625 BOLT) - 4xBLOCK(Str.)
1256	10	32.51			92.07	165.10	BB2-4	114-10003	2/7	10C MECH (.562 BOLT)
										-4xBLOCK(Straight)
1259	10	32.51			92.07	165.10	C1-4	114-10007	2	10C MECH-4xWing(C/Sunk)
1261	10	32.51			92.07	165.10	BB2-4	114-10011	2/8	10C MECH (.625 BOLT)
										-4xBLOCK (Straight)

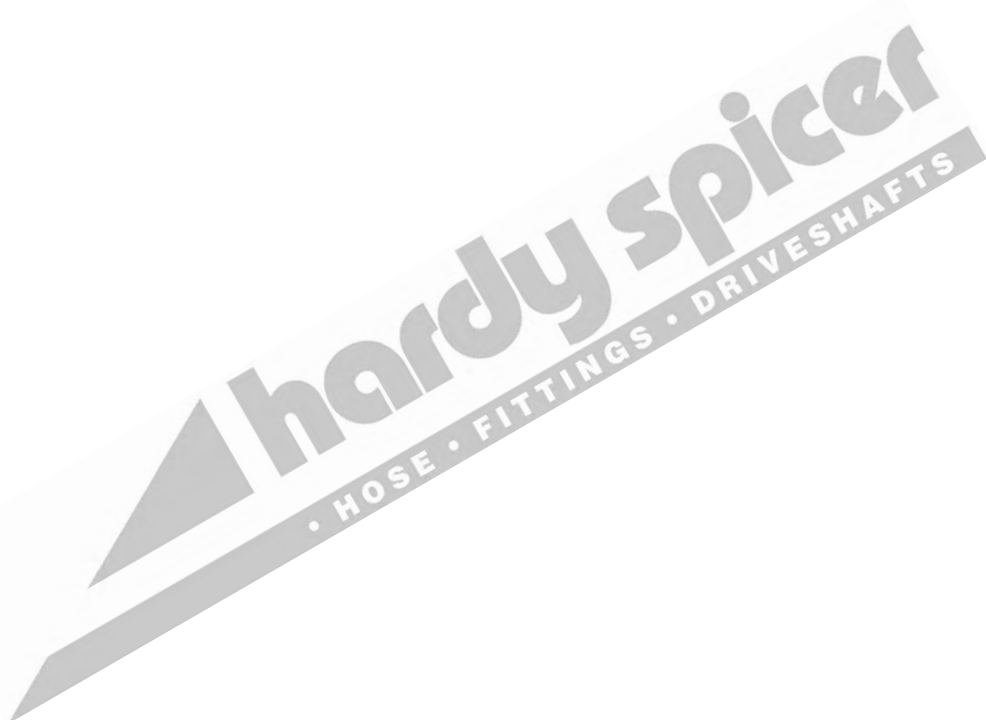
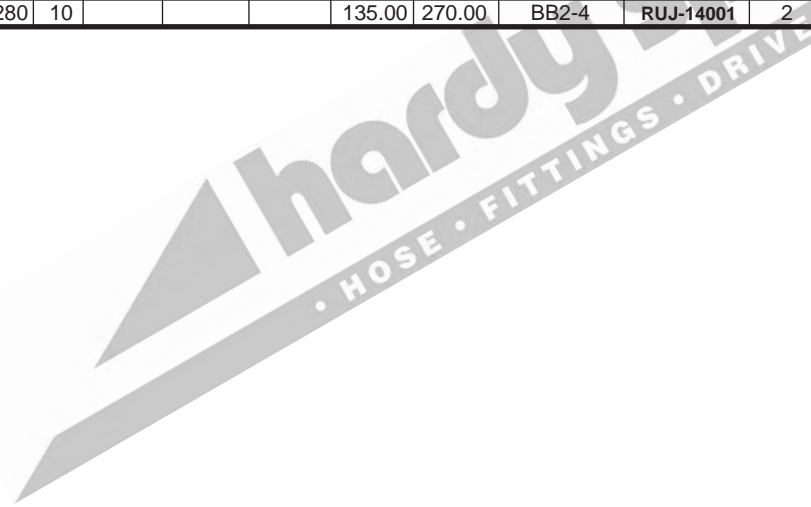
www.hardyspicer.com.au

Document No:	HSDSCAT
Issue:	14
Issue Date:	01/08/13

This catalogue is the copyright of Hardy Spicer

UNIVERSAL JOINT KITS

REF #	FIG	C	B1	B2	E	F	BEARING TYPE	PART #	SEE NOTES	DESCRIPTION
1264	10	38.00			92.00	227.00	BB2-4	RUJ-12500	2	TEREX
1266	10	32.51			92.20	241.30	BB2-4	114-12002	2	KOMATSU (14mm BOLT) -4xBLOCK (Straight)
1267	10	32.51			92.20	241.30	BB2-4	114-12002HD	2	KOMATSU (14mm BOLT) -4xBLOCK (Straight)
1269	10	38.10			99.97	199.95	BB2-4	114-15002	2	15C/J800 - 4xBLOCK (Str)
1270	10	38.10			99.97	199.95	BB2-4	114-15002W	2	15C/J800 - 4xBLOCK (Str)
1271	10	38.10			99.97	199.95	BB2-4	114-15002PL	1	15C MECH-LUBE FOR LIFE
1272	10	38.10			99.97	199.95	BB2-4	114-15003	1	15C MECH-METRIC BOLTS
1273	10	38.10			99.97	199.95	BB2-4	114-15003PL	1	15C MECH-LUBE FOR LIFE
1274	10	38.10			99.97	199.95	BB2-4	114-15500PL	1	15-5C MECH-LUBE FOR LIFE
1277	10	44.00			107.00	252.00	BB2-4	RUJ-14500	2	14-5C SERIES
1280	10				135.00	270.00	BB2-4	RUJ-14001	2	KOMATSU HIGH SPEED



www.hardyspicer.com.au

Document No:	HSDSCAT
Issue:	14
Issue Date:	01/08/13

This catalogue is the copyright of Hardy Spicer